

TON-E Power table Feed



Made in Taiwan
1 Year Guarantee



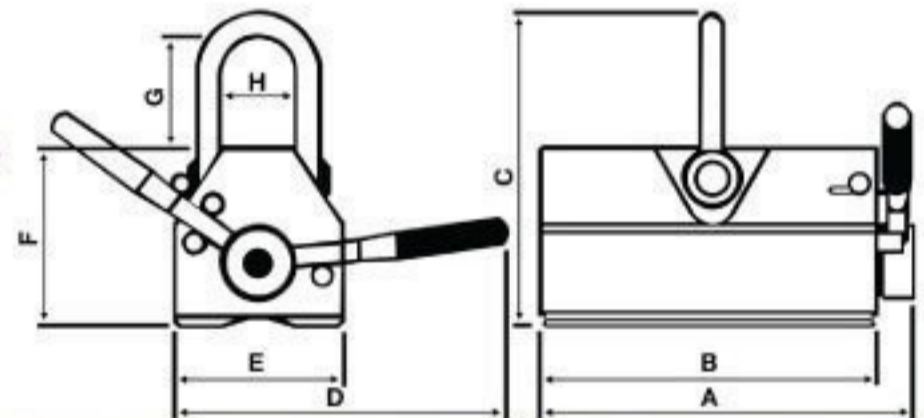
APF-500



APF-750

Model No.	Voltage	Ampere	Max Torque		R.P.M	Weight (kg)			LxWxH mm	Price Baht
			cm / Kg	in / lb		X	Y	Z		
APF-500X	110V50/60Hz	2.8A	155	135	0-210	6	6.3	6.4	280x178x340	B 9,500.00
APF-500Y										B 10,500.00
APF-750X		3.0A	175	152						B 12,000.00

Permanent Lifting Magnets



Model No.	Capacity	A	B	C	D	E	F	G	H	Weight
	kg	mm	mm	mm	mm	mm	mm	mm	mm	kg
ELM-0100	100	107	84	120	125	60	71	41	30	2.5
ELM-0300	300	180	155	156	185	90	93	51	41	8.6
ELM-0600	600	255	224	212	260	115	120	77	52	21
ELM-1000	1000	280	245	286	371	165	169	97	87	46

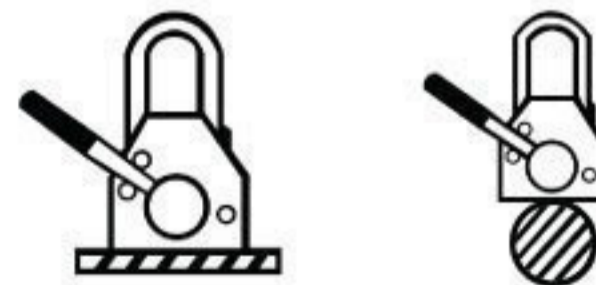
SAFETY FACTOR x 3.5 times

The capacity of magnet indicated as 1/3.5 of holding power, It means the real holding power is 3.5 times of capacity.

For example the capacity of ELM-600 is 600 kg (1320 lbs)

But the real holding power is 2100 kg (4620 lbs)

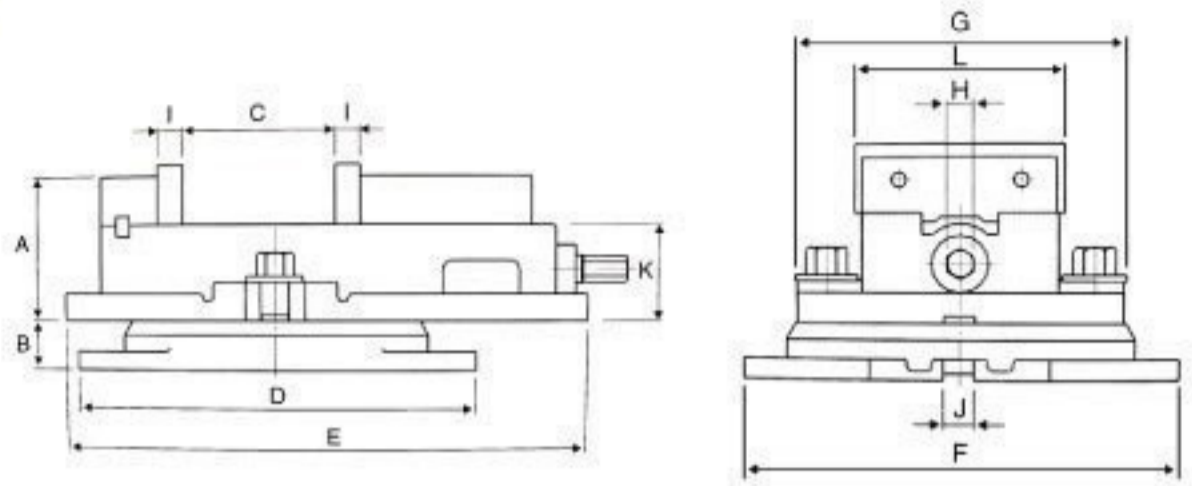
The large safety coefficient is consideration for ensuring the use in safety.



Model No.	Steel Plate		Round Steel		Maximum Length	Price Baht
	Max. Lifting Capacity	Min. Thickness Required	Max. Lifting Capacity	Max Diameter		
	kg	mm	kg	mm	mm	
ELM-0100	100	15	45	150	1000	B 6,900.00
ELM-0300	300	25	135	250	1500	B 14,900.00
ELM-0600	600	30	270	350	2000	B 22,900.00
ELM-1000	1000	40	450	450	2500	B 34,900.00

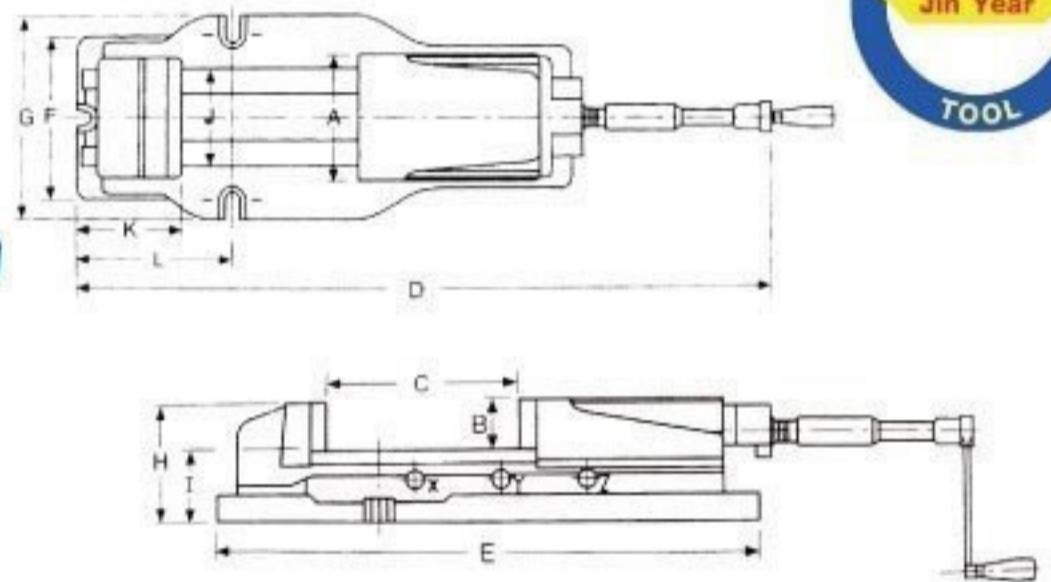
The above diagrams is only for reference. The operator should be test and check if it is in safe range before lift away the workpiece of steel. Other wise, it will be not responsibility by producer for any accidents.

Precision Angle Lock Machine Vise



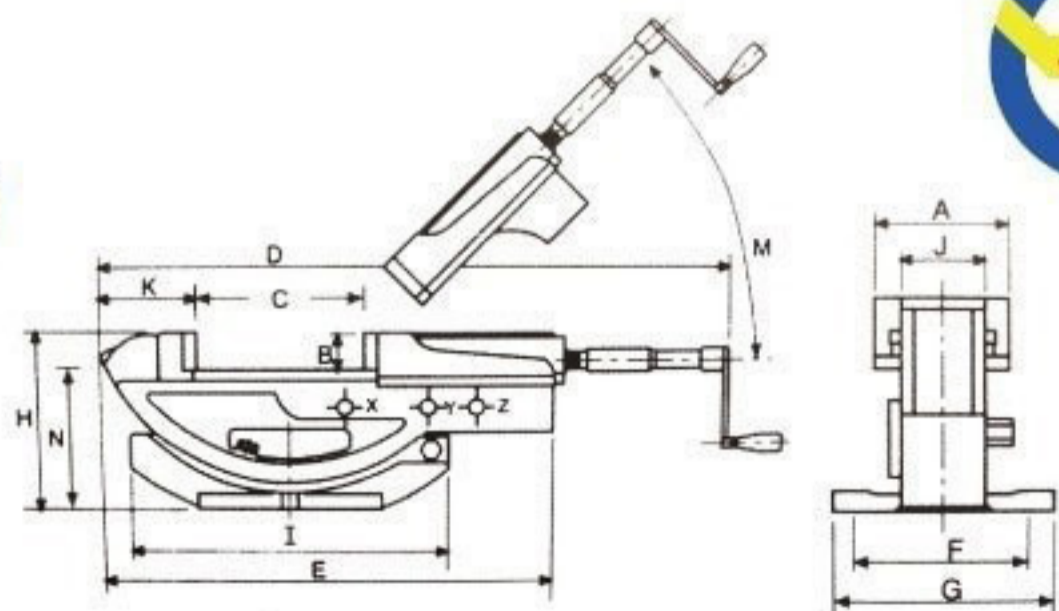
Model No.	A	B	C	D	E	F	G	H	I	J	K	L	Weight	Price
	mm	mm	mm	mm	mm	mm	mm	mm	mm	mm	mm	mm	kg	Baht
SL350-01	110	40	138	336	405	300	238	19	18	18	72	156	41	B 7,500.00
SL350-02	136	55	198	422	555	380	305	19	24	18	84	206	80	B 14,900.00

Hydraulic Machine Vise



Model No.	A	B	C	D	E	F	G	H	I	J	K	L	Clamping Range			Force	Weight	Price
	mm	mm	mm	mm	mm	mm	mm	mm	mm	mm	mm	mm	X	Y	Z	kgf	kg	Baht
SL352-01	150	53	300	800	620	182	225	135	82.5	116	117	210	0-57	98-200	198-300	4500	64	B 11,900.00
SL352-02	200	62	300	900	680	260	280	162	100	160	150	260	0-100	99-200	198-300	8000	108	B 22,900.00

Tilting Hydraulic Machine Vise

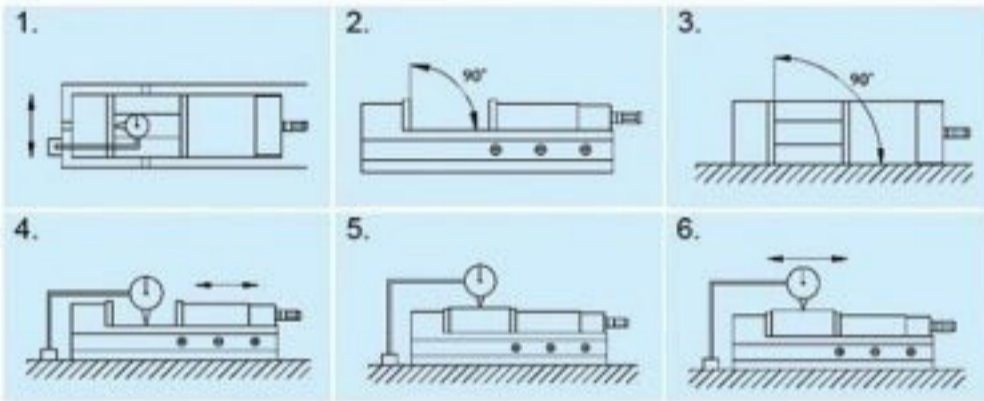
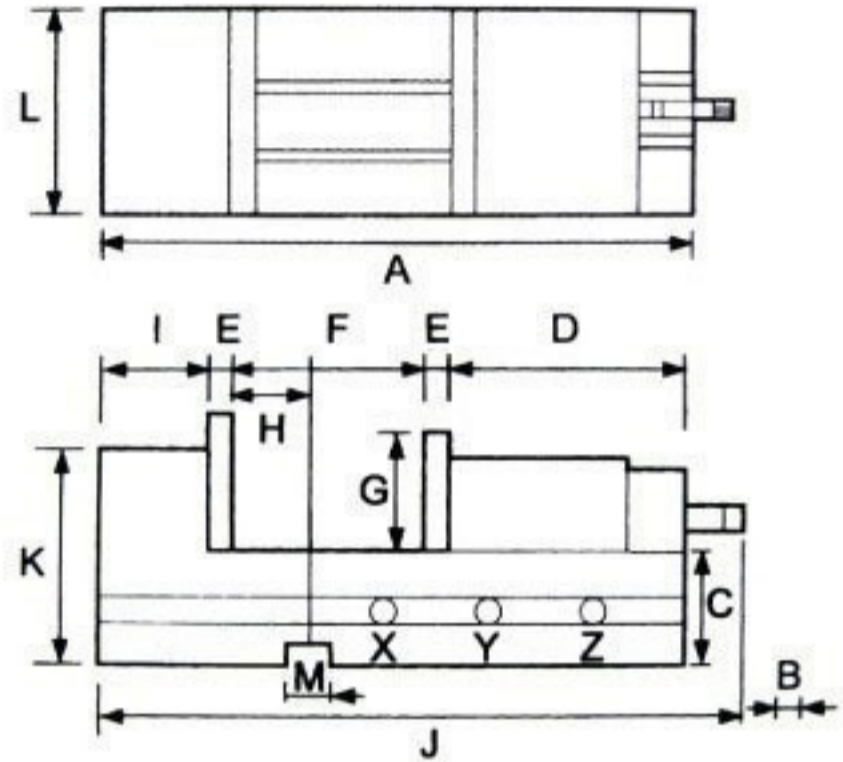


Model No.	A	B	C	D	E	F	G	H	I	J	K	M	Force	Weight (kg)		Price
	mm	mm	mm	mm	mm	mm	mm	mm	mm	mm	mm		kgf	Table	Base	Baht
SL354-01	105	36	0-170	547	404	106	165	191	340	80	92	0°~45°	2500	26	7	B 17,900.00
SL354-02	150	53	1-300	790	580	165	225	250	435	116	123	0°~45°	4500	70	11	B 23,900.00

Machine Accessories

Precision Hydraulic Angle Lock Vise

For CNC Machining Center

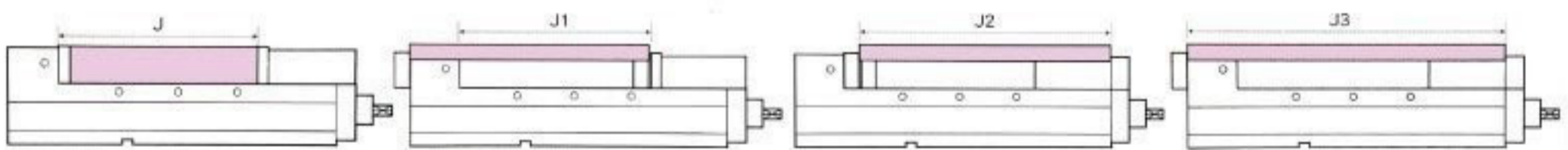
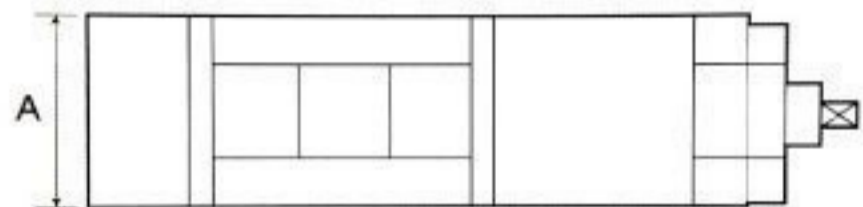
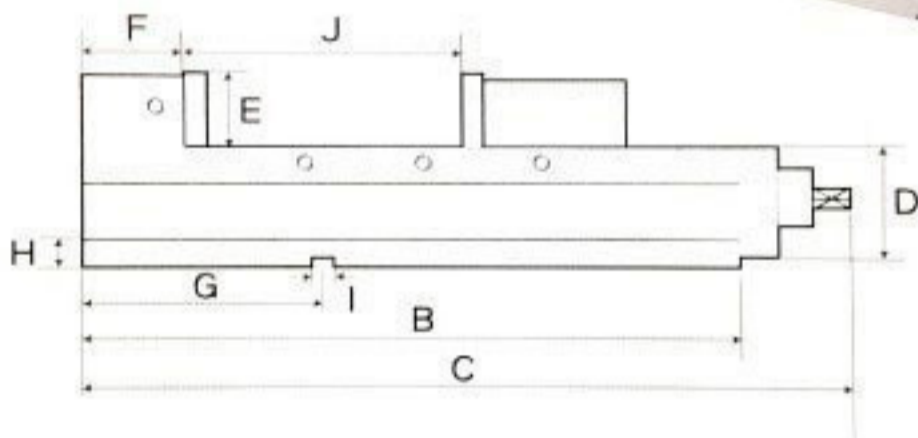


No.	Inspection Item (100 mm)	Allowance
1	Parallelism of guide block side of body bottom face and fixed jaw clamp face.	0.01
2	Squareness of fixed jaw clamp face and jaw slideway.	0.015
3	Vise side-lock on bottom with the slide wau in vertical.	0.02
4	Parallelism of body bottom face and jaw slideway.	0.01
5	Top face lift of test block in clamping.	0.02
6	Parallelism of top face of clamped test block in clamping.	0.015

Model No.	A	L	C	D	E	Clamping F			G	H	I	K	M	f	Clamping Force	Weight	Price
	mm	mm	mm	mm	mm	X	Y	Z	mm	mm	mm	mm	mm	mm	kgf	kg	Baht
SL360-01	404	105	62	208	13	0-85	85-170		42	45	65	102	16	50	2500 kgf	22	B 16,000.00
SL360-02	507	152	85	243	16	0-90	90-180	180-270	57	65	85	140	18	90	5000 kgf	50	B 19,000.00

Precision Power Machine Vise

For CNC Machining Center

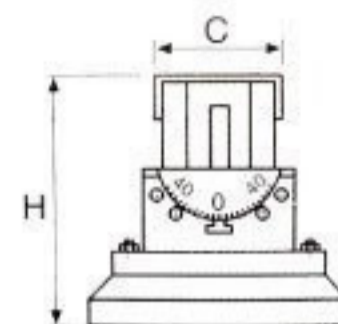
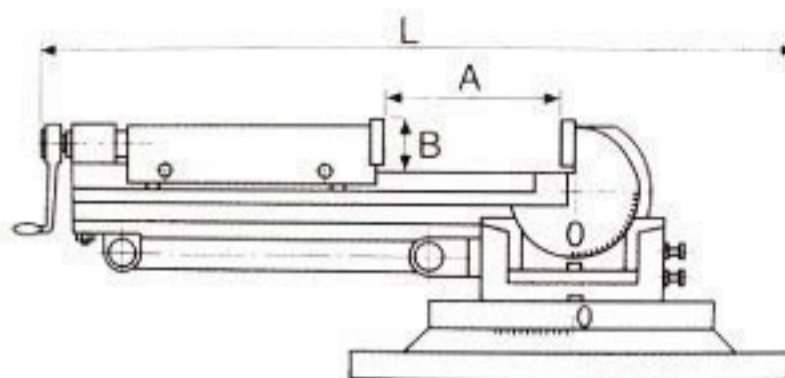


Model No.	A	B	C	D	E	F	G	H	I	J	J1	J2	J3	Clamping Force	Weight	Price
	mm	mm	mm	mm	mm	mm	mm	mm	mm	mm	mm	mm	mm	kgf	kg	Baht
SL362-01	100	395	533	85	50	60	105	25	18	200	260	300	390	4000 kgf	36	B 19,000.00
SL362-02	160	545	683	100	60	85	200	25	18	300	370	400	530	5500 kgf	67	B 22,000.00

Machine Accessories

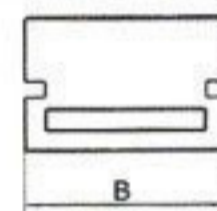
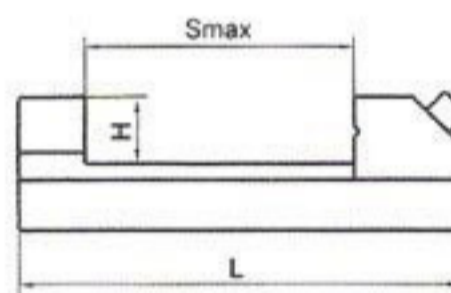


Universal 3-Way Tilting Machine Vice



Model No.	A	B	C	H	L	Height at	Weight	Price
	mm	mm	mm	mm	mm	Vertical Position	kg	Baht
SL356-01	105	38	106	172	460	470	32	฿ 11,900.00
SL356-02	140	40	132	205	590	590	50	฿ 14,900.00

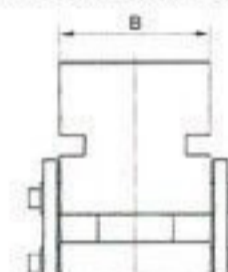
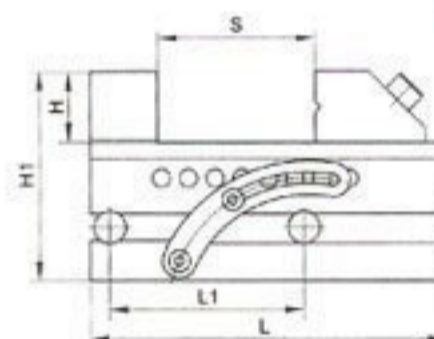
Precision Tool Vice



SUNTECH
THE TOOLS TO TRUST

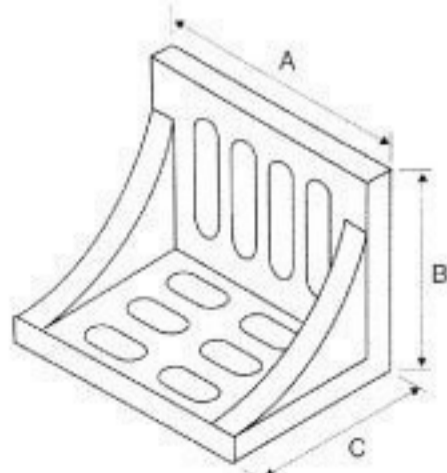
Model No.	B	H	Smax	L	Weight	Price
	mm	mm	mm	mm	kg	Baht
SL380-050	50	25	65	140	2.0	฿ 1,900.00
SL380-073	73	35	100	190	4.1	฿ 2,500.00
SL380-088	88	40	125	235	7.3	฿ 2,900.00
SL380-100	100	45	125	245	10.0	฿ 3,500.00
SL380-125	125	50	160	285	18.0	฿ 4,900.00

Sine Tool Vice



SUNTECH
THE TOOLS TO TRUST

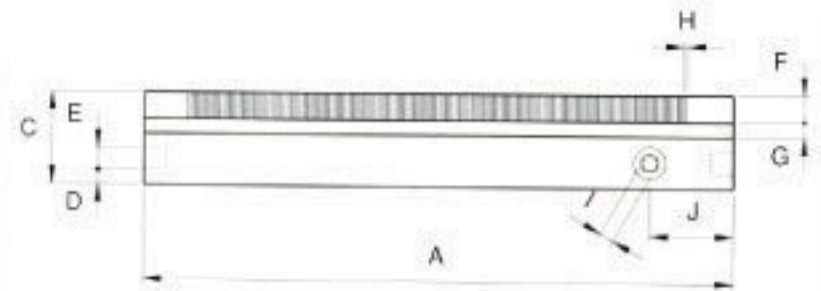
Model No.	B	H	H1	Smax	L	L1	Adjustable	Price
	mm	mm	mm	mm	mm	mm	Angle Range	Baht
SL385-02	73	35	104	100	190	100	0-45°	฿ 6,900.00
SL385-03	125	50	144	160	285	200	0-45°	฿ 12,900.00



Right Angle Plate

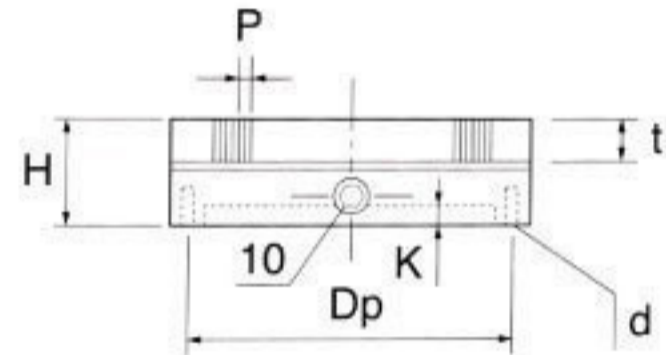
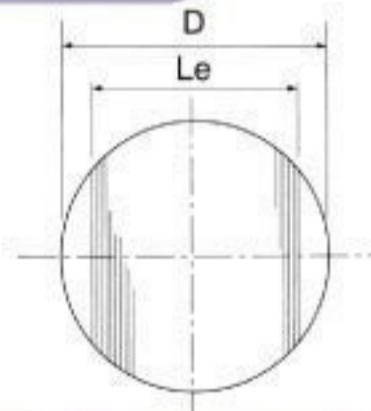
Model No.	A	B	C	Weight	Price
	mm	mm	mm	kg	Baht
SL388-01	200	150	126	7	฿ 2,900.00
SL388-02	250	200	126	12	฿ 3,900.00
SL388-03	300	228	202	25	฿ 4,900.00

Permanent Magnetic Plate



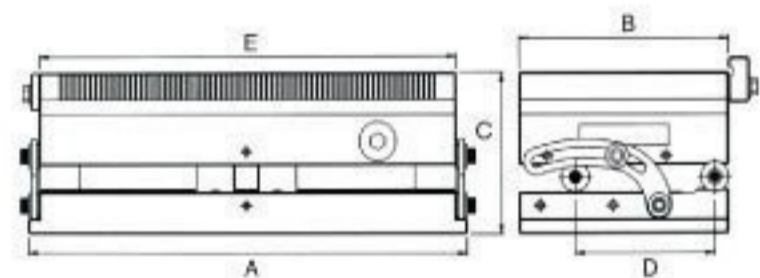
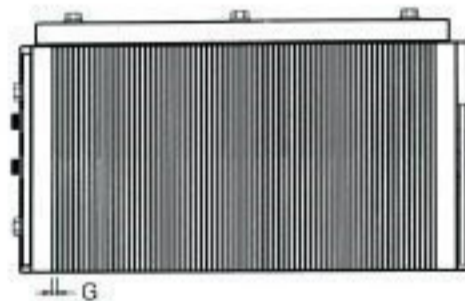
Model No.	B	A	F	G	H	D	E	C	I	J	Weight	Price
	mm	mm	mm	mm	mm	mm	mm	mm	mm	mm	kg	Baht
SL390-01	150	300	18	2	1.5 (0.5+1)	10	10	46	10	69	19	฿ 12,000.00
SL390-02	200	400	20	2	1.5 (0.5+1)	10	10	46	10	69	35	฿ 19,000.00
SL390-03	300	600	22	2	1.5 (0.5+1)	10	10	46	10	69	51	฿ 29,000.00

Circular Dense Permanent Magnetic Chuck



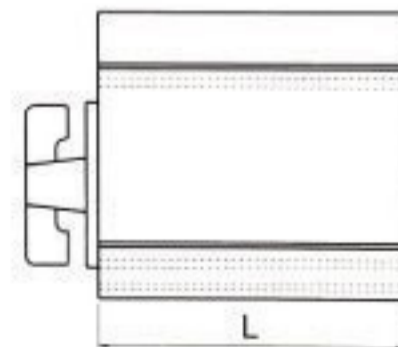
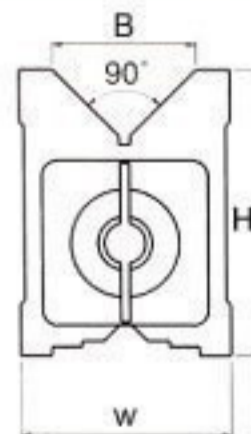
Model No.	D	Le	d	K	Dp	F	P	t	H	Weight	Price
	mm	mm	mm	mm	mm	mm	mm	mm	mm	kg	Baht
SL392-01	160	115	M10	4	140	10	4.8 (1+3.8)	20	61	8.4	฿ 9,900.00
SL392-02	200	155	M10	4	180	10	4.8 (1+3.8)	20	61	14	฿ 13,000.00

Sine Plate with fine Magnetic Chuck



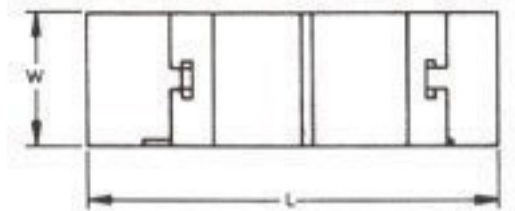
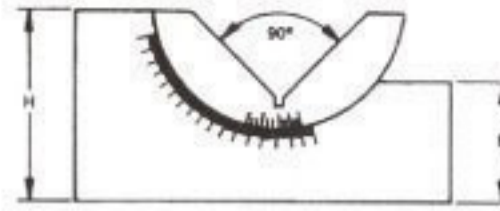
Model No.	A	B	C	D	E	G	Adjustable	Weight	Price
	mm	mm	mm	mm	mm	mm	Angle Range	kg	Baht
SL394-01	191	100	85	75	175	1.5 (0.5+1)	0-50°	12.5	฿ 14,000.00
SL394-02	316	150	85	100	300	1.5 (0.5+1)	0-50°	30	฿ 24,000.00

Magnetic V-Block



Model No.	W	L	H	B	Force	Weight	Price
	mm	mm	mm	mm		kg	Baht
SL395-01	65	70	72	36	25	1.5	฿ 750.00
SL395-02	70	100	95	47	40	3.5	฿ 1,300.00

Adjustable Angle Plates



Model No.	W	L	H	h	Weight	Price
	mm	mm	mm	mm	kg	Baht
SL400-01	25	75	36	25	0.5	฿ 1,900.00
SL400-02	30	102	49	30	1.0	฿ 2,100.00
SL400-03	46	102	49	30	1.5	฿ 2,300.00

A Pair of V Block



SL402-01, 02



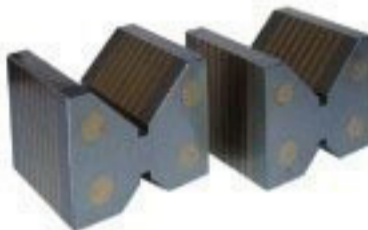
SL402-03



SL402-04

Model No.	W	L	H	Diameter	Price
	mm	mm	mm	mm	Baht
SL402-01	40	45	36	5-20	฿ 1,380.00 / pair
SL402-02	45	70	40	5-25	฿ 1,700.00 / pair
SL402-03	63	50	63	5-32	฿ 990.00 / pc
SL402-04	101	76	76	5-45	฿ 1,600.00 / pc

Magnetic Induction Block



SL404-01



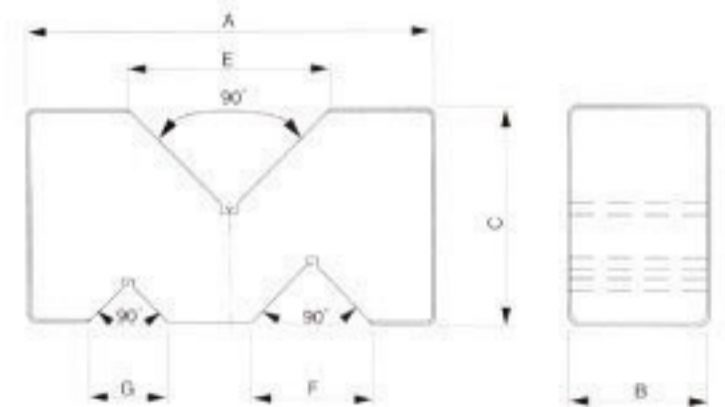
SL404-02



SL404-03

Model No.	W	L	H	Weight	Price
	mm	mm	mm	kg	Baht
SL404-01	60	50	48	0.6 x 2	฿ 1,380.00 / pair
SL404-02	60	110	48	1.3	฿ 1,200.00 / pc
SL404-03	100	50	25	0.6 x 2	฿ 1,180.00 / pair

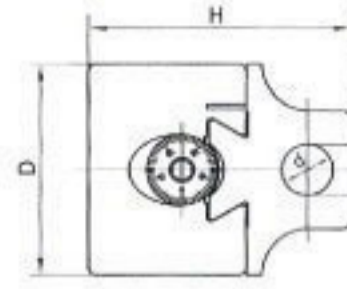
Vee Blocks



Model No.	A	B	C	E	F	G	Weight	Price
	mm	mm	mm	mm	mm	mm	kg.	Baht
SL406-W2	75	24	35	37	24	16	0.72	฿ 1,600.00 / pair
SL406-W3	100	33	52	50	30	20	2.06	฿ 1,900.00 / pair
SL406-W4	125	44	69	63	37	26	4.64	฿ 2,400.00 / pair
SL406-W5	150	50	80	75	45	30	4.24	฿ 3,900.00 / pair

Machine Accessories

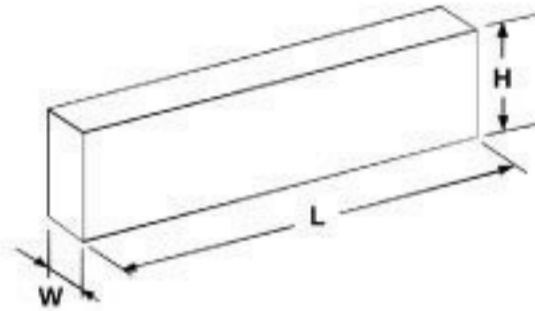
Boring Head Include Boring Bar



SUNTECH
THE TOOLS TO TRUST

Model No.	D	H	Boring Bar	Boring Range	Accuracy	Shank	Price
	mm	mm	mm	mm	mm		Baht
SL415-01	50	61.6	12	10-125	0.01	C20	B 3,900.00
SL415-02	75	80.2	18	12-225	0.01	C20	B 4,900.00
SL415-03	100	93.2	25	15-630	0.01	C20	B 6,900.00

Precision Parallel Block Set



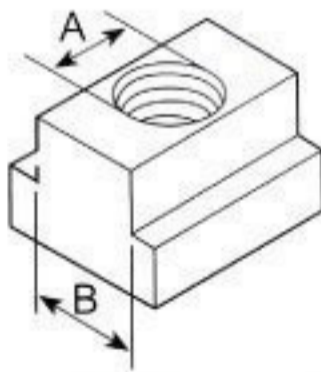
Model No.	Size (W x H x L)	Pair / Set	Hardness	Accuracy	Price
	mm			mm	Baht
SL420-01	10 x 14 x 150	1	55° - 60°	0.01	B 3,500.00
	H (16, 18, 20, 22, 24, 26, 28, 30, 32, 35, 40, 45, 50)	13			



Universal Angle Block Set

Model No.	Size	Price
		Baht
SL430-01	1/2°, 1°, 2°, 3°, 4°, 5°, 10°, 15°, 30° 9 pcs / Set	B 2,500.00

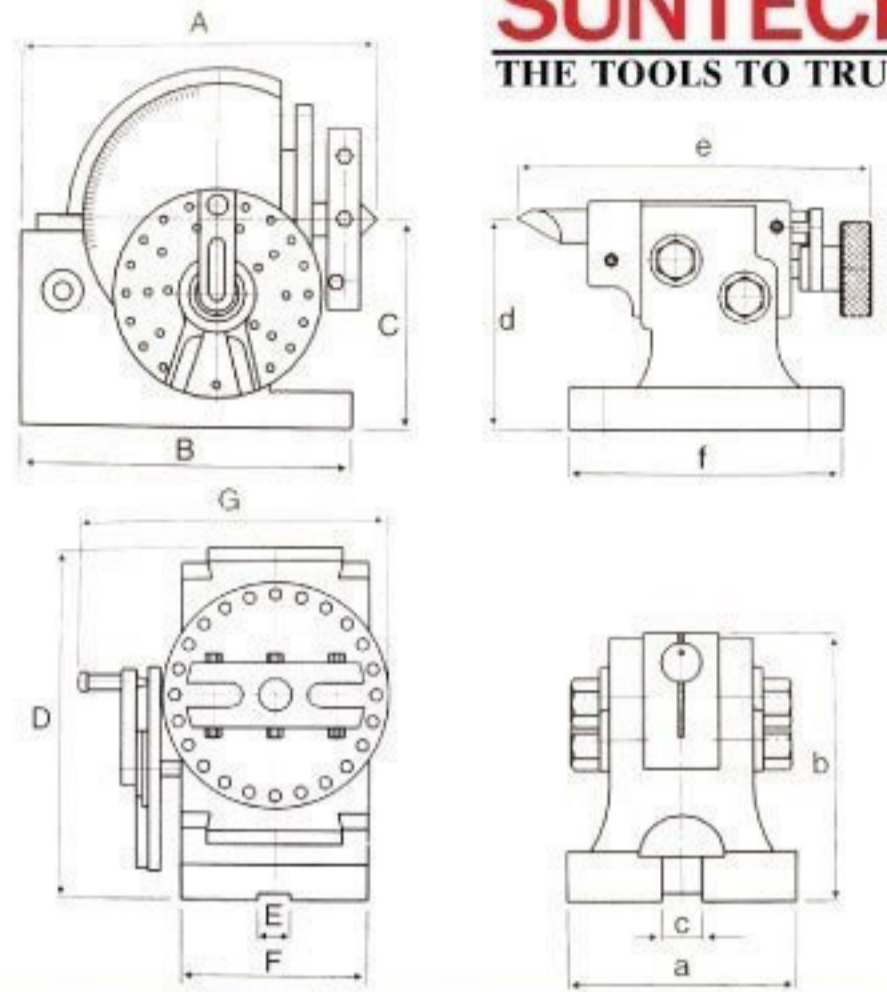
58 Pcs Clamping Kits



Model No.	Item	Pcs / Set	A	B	Weight kg	Price
			mm	mm		Baht
SL440-01	T-Slot Nuts	6	1/2" - 13	5/8"	11.7	B 2,500.00 / set
	Studs 4 pcs / Size (3, 4, 5, 6, 7, 8 inch) or (75, 100, 150, 175, 200 mm)	24				
SL440-02	Coupling Nuts	4	16 - 2.0P	18	14.5	B 3,500.00 / set
	Flange Nuts	6				
	Step Blocks	12				
	Step Clamps	6				

Machine Accessories

Semi-Universal Dividing Heads With Tail Stock

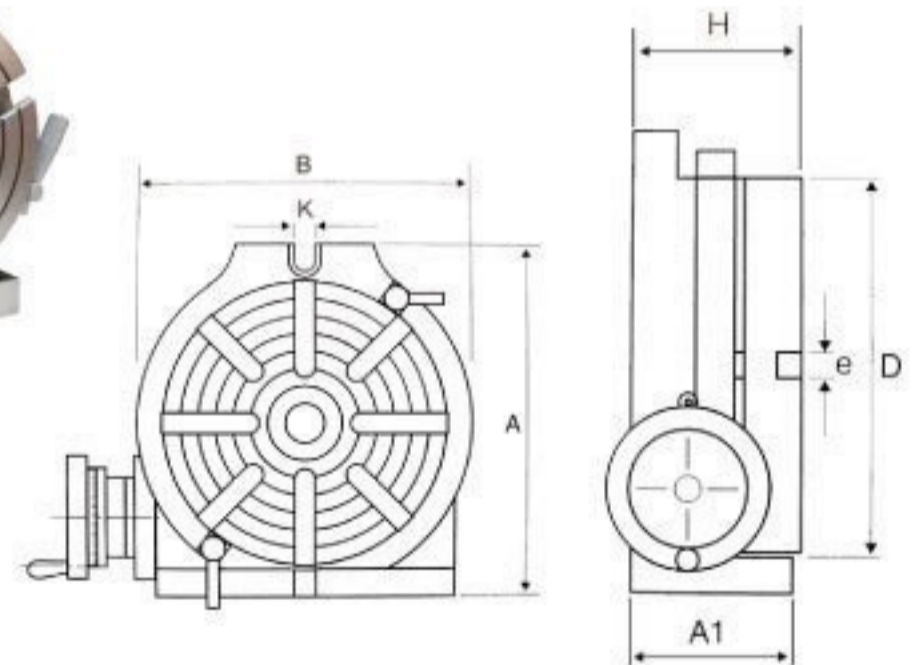


Number of Holes	A - Plate	15, 16, 17, 18, 19, 20
	B - Plate	21, 23, 27, 29, 31, 33
	C - Plate	37, 39, 41, 43, 47, 49

Model No.	a mm	b mm	c mm	d mm	e mm	f mm
SL500-01	92	102	16	100	175	130
SL500-02	110	137	16	128	183	158

Model No.	A mm	B mm	C mm	D mm	E mm	F mm	G mm	Taper of Center	Diameter of Spindle Hole	Price Baht
SL500-01	193	166	100	173	16	90	131	MT2	18	B 13,000.00
										With 3 Jaws - 4"
SL500-02	242	206	128	220	16	113	168	MT3	20	B 16,000.00
										With 3 Jaws - 5"

Vertical / Horizontal Precision Rotary Table



Model No.	D mm	A1 mm	H mm	A mm	B mm	e mm	K mm	Center Sleeve	Price Baht
SL510-01	150	78	83	200	160	12	16	MT2	B 7,900.00
SL510-02	200	100	105	265	220	14	17	MT3	B 11,900.00
									With 3 Jaws - 6"
SL510-03	250	110	115	325	280	14	17	MT3	B 13,900.00
									With 3 Jaws - 8"
SL510-04	300	128	132	391	330	16	18	MT4	B 20,900.00

Machine Accessories

ER Collet Chuck Set



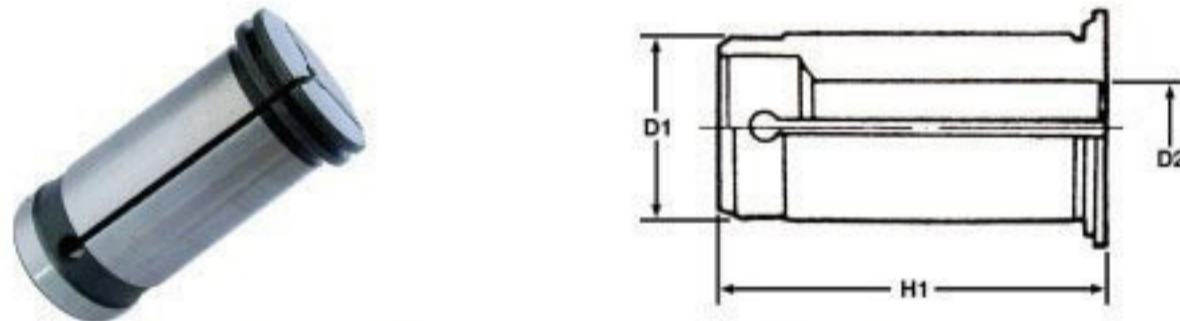
Model No.	Type	Collet Range	Pcs Set	Weight	Price
		mm		kg	Baht
SL601-02	NT30/ER40	3-2, 4-3, 5-4, 6-5, 8-7, 10-9, 12-11, 14-13,	15	5.2	฿ 5,900.00
SL601-04	NT40/ER40	15-14, 16-15, 18-17, 20-19, 22-21, 24-23, 26-25		5.5	฿ 6,900.00

ER Spring Collets



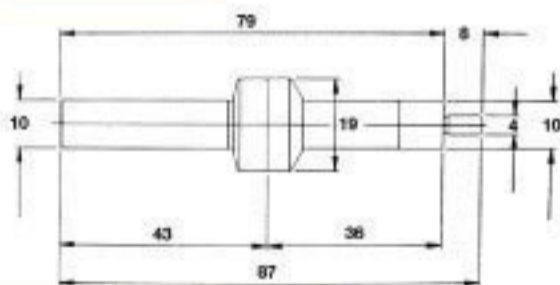
Model No.	Type	Collet Range (D2)	D1 mm	H mm	Price
		mm			Baht
SL602-01	ER16	3-2, 4-3, 5-4, 6-5, 7-6, 8-7, 9-8, 10-9	17	27	฿ 190.00 / pc
SL602-02	ER20	3-2, 4-3, 5-4, 6-5, 7-6, 8-7, 9-8, 10-9, 11-10, 12-11, 13-12	21	31	฿ 220.00 / pc
SL602-03	ER32	3-2, 4-3, 5-4, 6-5, 7-6, 8-7, 9-8, 10-9, 11-10, 12-11, 13-12, 14-13, 15-14, 16-15, 17-16, 18-17, 19-18, 20-19	33	40	฿ 250.00 / pc
SL602-04	ER40	4-3, 5-4, 6-5, 7-6, 8-7, 9-8, 10-9, 11-10, 12-11, 13-12, 14-13, 15-14, 16-15, 17-16, 18-17, 19-18, 20-19, 21-20, 22-21, 23-22, 24-23, 25-24, 26-25	41	46	฿ 290.00 / pc

SC Straight Collets



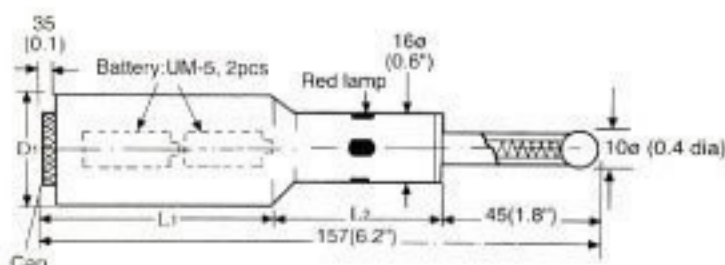
Model No.	Type	Collet Range (D2)	D1 mm	H1 mm	Price
		mm			Baht
SL602-05	SC20	4, 6, 8, 10, 12, 16	20	52	฿ 290.00 / pc
SL602-06	SC25	6, 8, 10, 12, 16, 20	25	63	฿ 290.00 / pc
SL602-07	SC32	6, 8, 10, 12, 20, 25	32	71	฿ 350.00 / pc

Rotary-Edge Finder



Model No.	Accuracy	Price
	mm	Baht
SL618-01	0.005	฿ 290.00

Electronic Edge Sensor



Model No.	Accuracy	D1	L1	L2	Price
	mm	mm	mm	mm	Baht
SL618-02	0.005	20	77	35	฿ 1,900.00



Punch Grinder

1. Punch Grinder is tool which can be put on the surface of Grinding Machine for Grinding Punches. It can do cylindrical Grinding automatically.
 2. The rollers can used to adjust the workpiece before Grinding.
 3. When during heavy griding, use screw pressure for firm holding as shown in the picture.
 4. Accuracy of roller is within 0.005mm.
- It can Grind Punches of outside diameter from 1.5 - 30 mm, extended Grinding length is within 5 - 35 mm.

Model No.	Price
	Baht
SL530-01	฿ 5,900.00



Portable Beveller

The tools can be Chamfered 0 - 2 mm bevel angle, Radius, arc angle, straight line, outer curve and etc.
 Suitable for heavy workpiece which can't be easily moved.

Model No.	Price
	Baht
SL640-01	฿ 3,900.00



Chamfer Machine DJJ-B

Equipped with side mill
 Suitable for parts before heat - treated.
 Height fo bevel : 0 - 2 mm
 Bevel angle : 45°

Model No.	Price
	Baht
SL650-01	฿ 16,900.00



Chamfer Machine DJJ-C

Equipped with wheel
 Suitable for parts after heat - treated.
 Height fo bevel : 0 - 2 mm
 Bevel angle : 45°

Model No.	Price
	Baht
SL650-02	฿ 16,900.00



Medium Duty Rotary Center

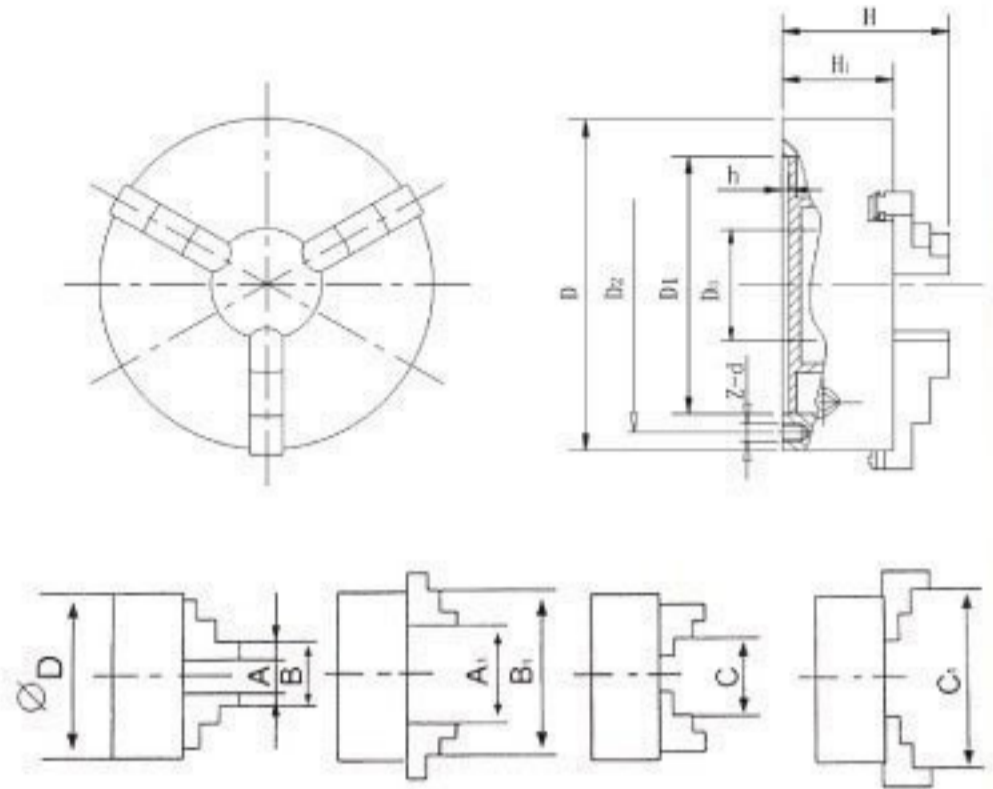
Model No.	Type	Accuracy	Price
		mm	Baht
SL700-00	MT3	0.01	฿ 790.00
SL700-01	MT4	0.01	฿ 990.00
SL700-02	MT5	0.02	฿ 1,500.00

3 Jaws Chuck



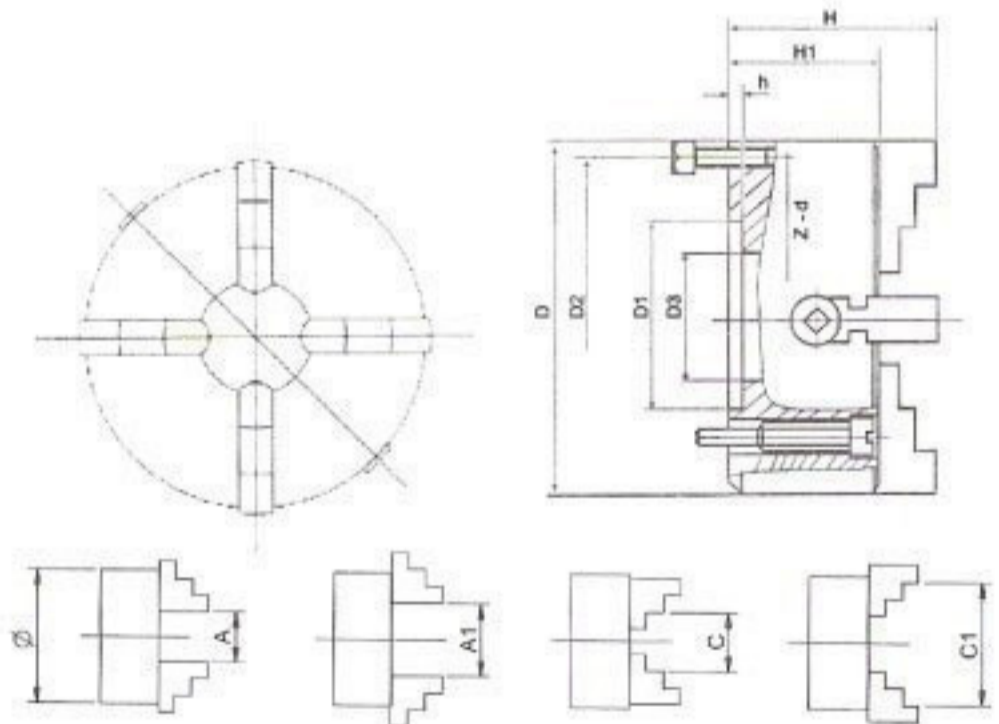
SL800-01, 011, 02, 03, 04

SL800-05, 06, 07



Model No.	Dimension						Clamping Range			z - d	Price
	D		D1	D2	D3	H	A - A1	B - B1	C - C1		Baht
	in	mm	mm	mm	mm	mm	mm	mm	mm		
SL800-01	4	100	72	84	22	75	2 - 30	30 - 90	30 - 80	3 - M8	฿ 2,200.00
SL800-011	5	125	95	108	30	78	2.5 - 40	38 - 125	38 - 110	3 - M8	฿ 2,900.00
SL800-02	6	160	130	142	45	95	3 - 55	50 - 160	55 - 145	3 - M8	฿ 3,500.00
SL800-03	8	200	165	180	65	109	4 - 85	65 - 200	65 - 200	3 - M10	฿ 4,500.00
SL800-04	10	250	206	226	80	120	6 - 110	80 - 250	90 - 250	3 - M12	฿ 6,500.00
SL800-05	12	320	265	290	100	165	10 - 140	95 - 320	100 - 320	3 - M16	฿ 9,900.00
SL800-06	16	400	340	360	130	172	15 - 210	120 - 400	120 - 400	6 - M16	฿ 14,900.00
SL800-07	20	500	440	465	200	202	25 - 280	150 - 500	150 - 500	6 - M16	฿ 28,000.00

4 Jaws Chuck



Model No.	Dimension								Clamping Range		z - d	Price
	D		D1	D2	D3	H	H1	h	A - A1	C - C1		Baht
	in	mm	mm	mm	mm	mm	mm	mm	mm	mm		
SL810-00	4	100	72	84	25	73	54	3.5	7 - 57	32 - 100	4 - M8	฿ 1,900.00
SL810-01	6	160	130	145	40	97	65	5	8 - 80	50 - 160	4 - M10	฿ 2,900.00
SL810-02	8	200	125	105	50	110	75	6	10 - 100	63 - 200	4 - M10	฿ 3,900.00
SL810-03	10	250	100	120	65	118	82	6	15 - 130	80 - 250	4 - M10	฿ 4,900.00
SL810-04	12	320	140	165	95	134	90	6	20 - 170	100 - 320	4 - M16	฿ 5,900.00
SL810-05	16	400	160	185	125	143	95	8	25 - 250	118 - 400	4 - M16	฿ 9,900.00
SL810-06	20	500	200	236	160	161	106	8	35 - 300	125 - 500	4 - M20	฿ 15,000.00
SL810-07	24	630	220	258	180	180	115	10	50 - 400	160 - 630	4 - M20	฿ 35,000.00